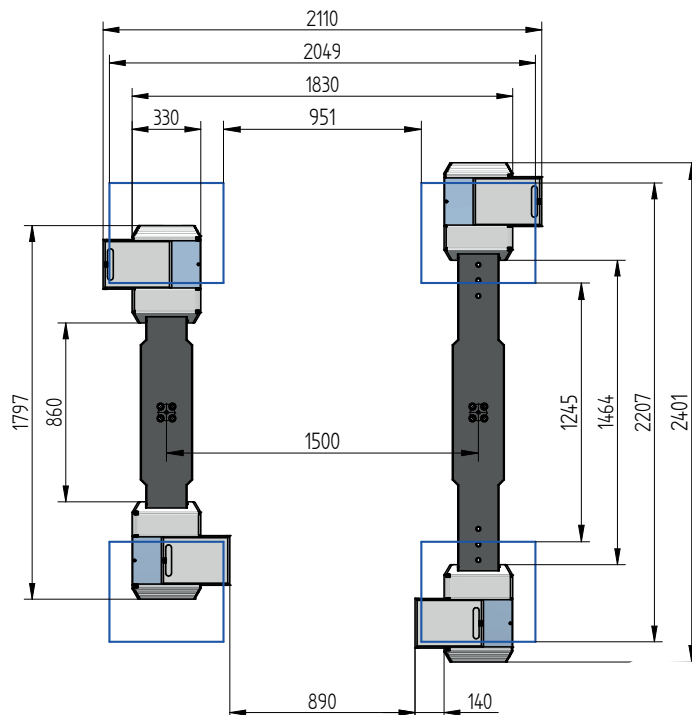
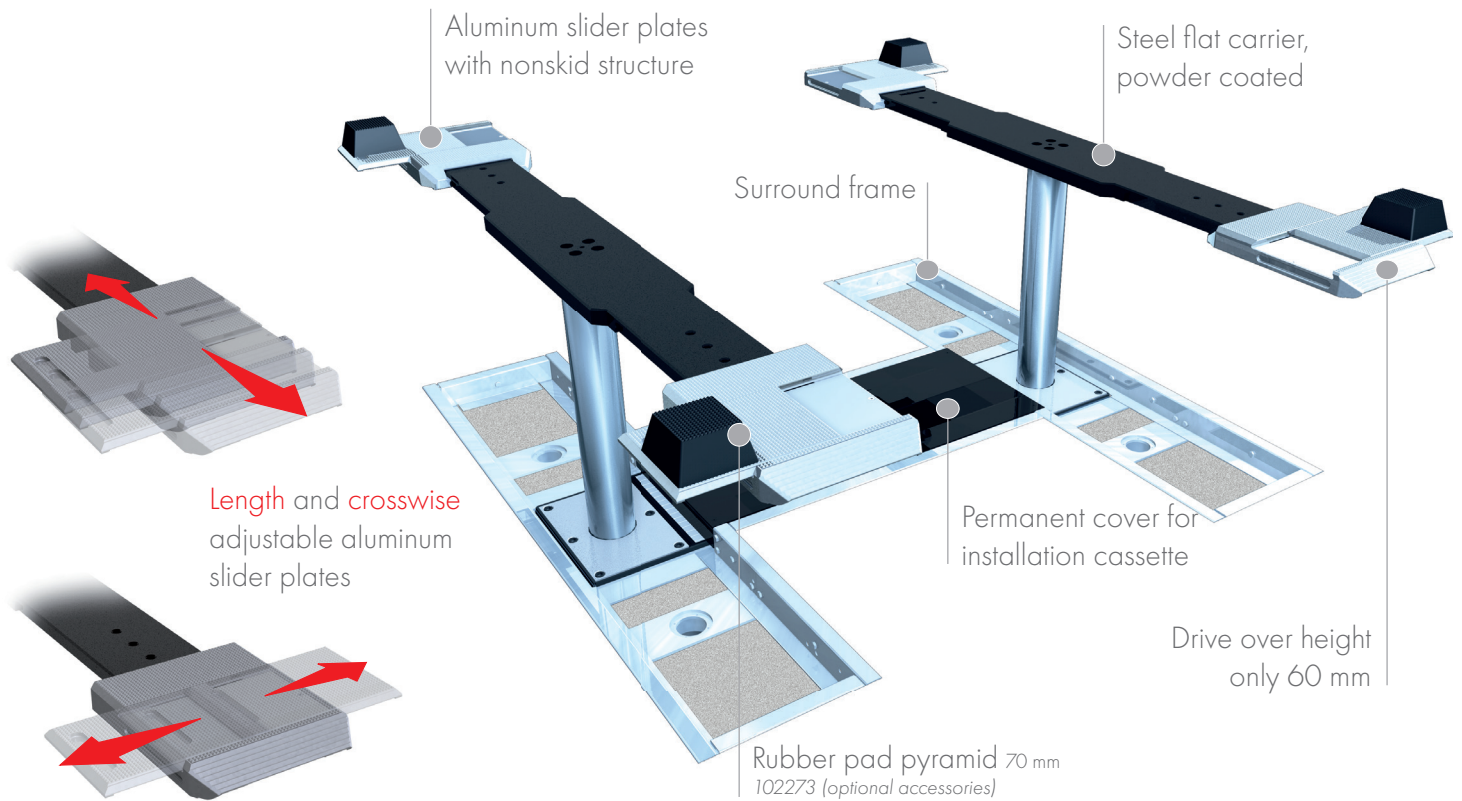


FLUSH MOUNTED

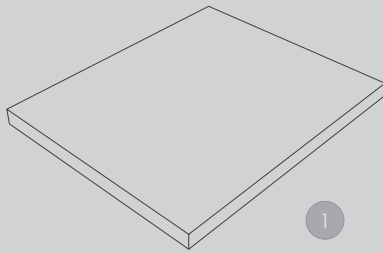


TECHNICAL DATA

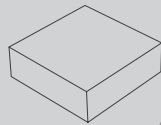
Capacity	3500 kg
Drive over height	60 mm
Piston diameter	123 mm
Piston distance	1500 mm
Motor output	3,0 kW
Power connector	400 V/16 A
Cable length to control	11 m
Lifting time	≈ 35 sec.
Lowering time	≈ 35 sec.

Support Uni 2.35 plus maxi	102642
Support Uni 2.35 plus maxi galvanized	105225
Installation cassette STEEL 1500 mm	2260XX
Installation cassette STEEL 1500 mm galvanized	2261XX
Lifting unit oil 3,5 t 1500 mm - K pre-assembled in installation cassette	109965
Lifting unit oil 3,5 t 1500 mm - H packed in wooden box	109977
Surround frame Uni plus 1500	112328

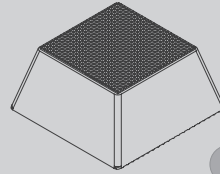
ACCESSORIES



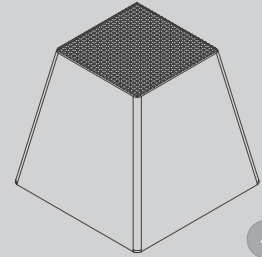
1



2



3



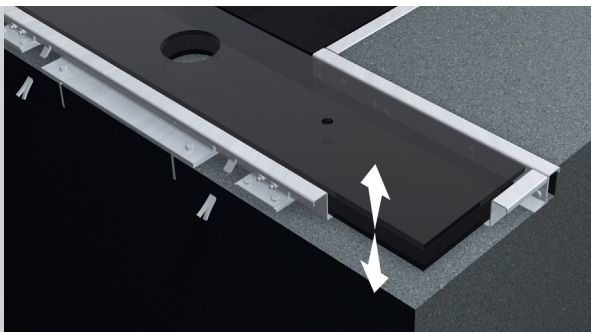
4

1 Rubber pad
290 x 335 x 20 mm
102275 (1 Set / 4 Pieces)

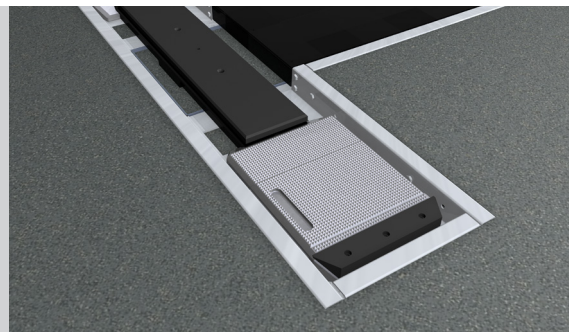
2 Rubber pad
120 x 120 x 40 mm
102274 (1 Set / 4 Pieces)

3 Rubber pad pyramid
70 mm
102273 (1 Set / 4 Pieces)

4 Rubber pad pyramid
140 mm
102291 (1 Set / 4 Pieces)



Floor compensation Uni plus, midi, maxi
powder coated
112329



Levelling plates Uni plus maxi
for flat surface of the carriers
110340 (1 Set / 2 Pieces)

Levelling wedges Uni plus
for flat surface of the slider plates
109605 (1 Set / 2 Pieces)

Herrmann AG
Bahnhofstrasse 32
D-93483 Pöding

Phone: +49 (0)9461/91388 50
E-Mail: sales@herrmann-lifts.com

www.herrmann-lifts.com