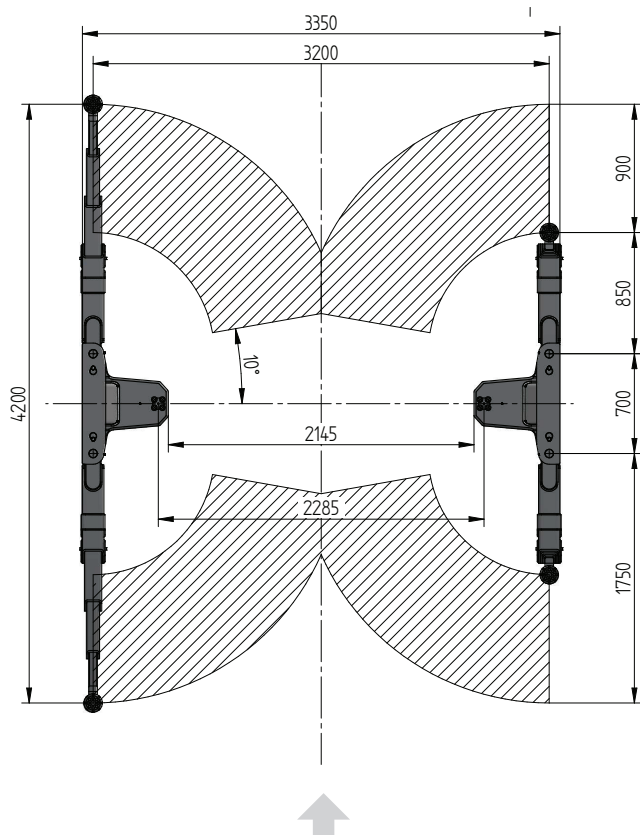
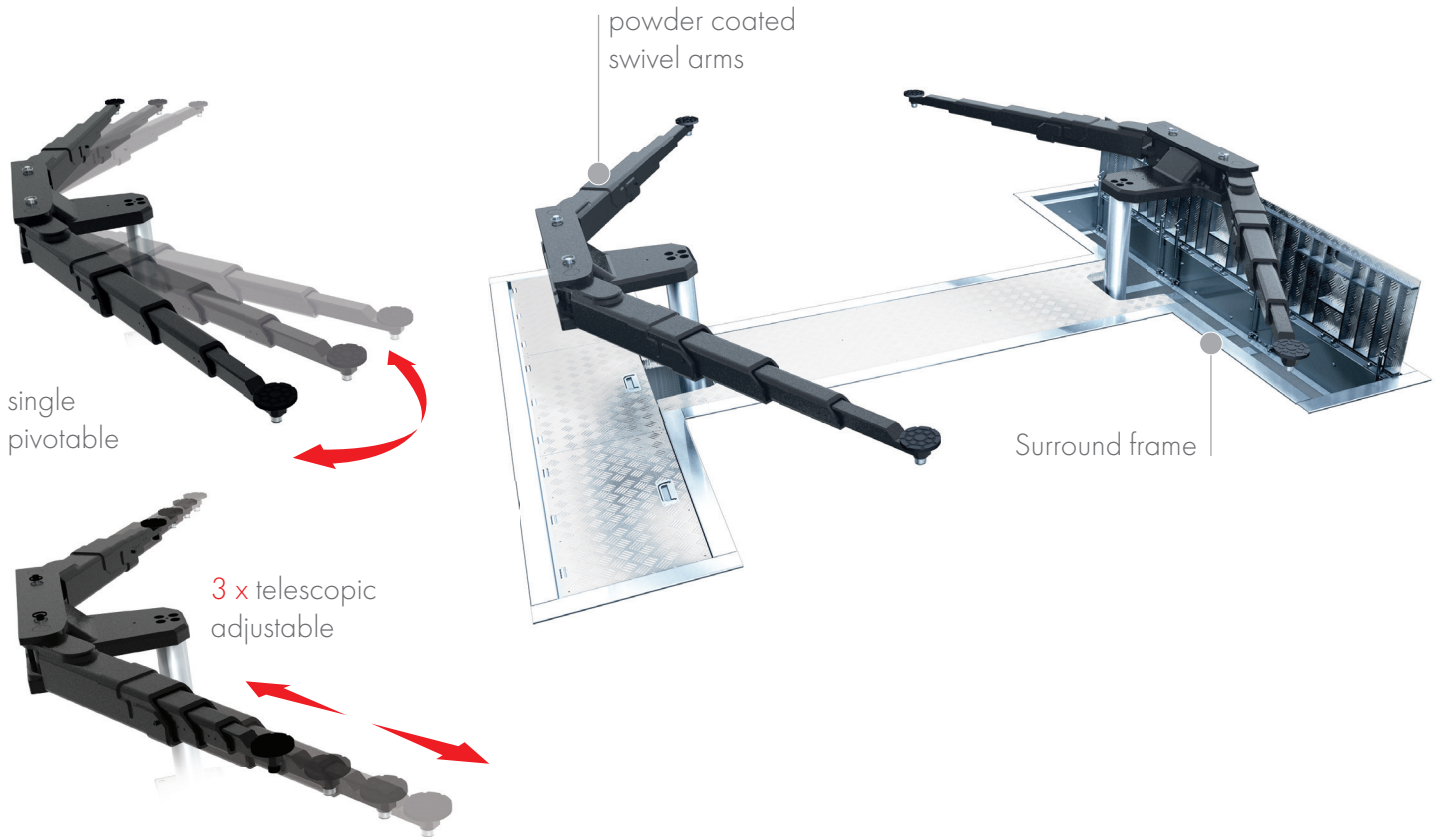


FLUSH MOUNTED

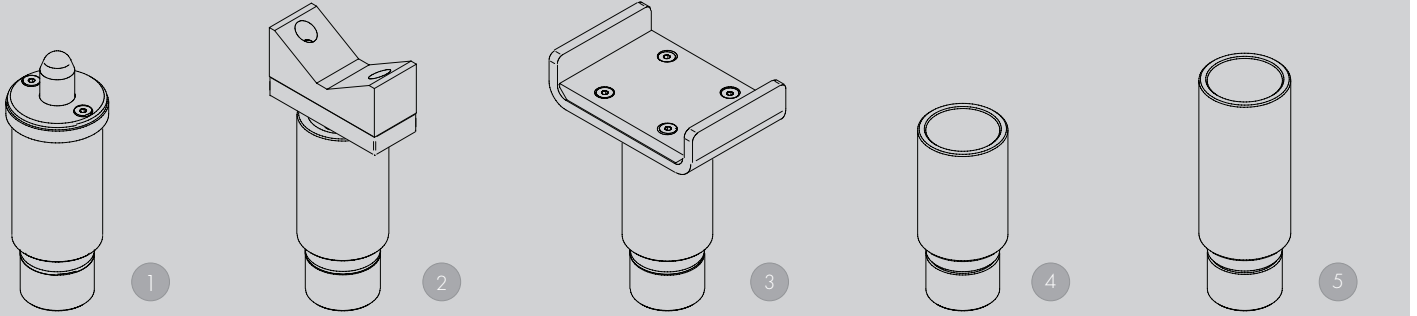


TECHNICAL DATA

Capacity	5000 kg
Move in height	120 mm
Piston diameter	123 mm
Piston distance	2285 mm
Motor output	3,0 kW
Power connector	400 V/16 A
Cable length to control	11 m
Lifting time	≈ 35 sec.
Lowering time	≈ 35 sec.

Support Swingarm 2.50	112113
Installation cassette STEEL 2285 mm	2020XX
Installation cassette STEEL 2285 mm galvanized	2021XX
Lifting unit oil 5,0 x 2285 mm - K pre-assembled in installation cassette	111627
Lifting unit oil 5,0 x 2285 mm - H packed in wooden box	111628
Surround frame Swingarm 2285	111676

ACCESSORIES



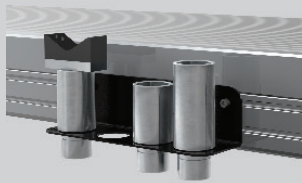
1 | Stacking adapter NCV3
d 50 x d 70 / 115-215 mm
112100 (1 set / 2 pcs.)

2 | Stacking adapter V-prism
d 50 / 87-130 mm
109683 (1 set / 2 pcs.)

3 | Stacking adapter U-form
d 50
1103976 (1 set / 4 pcs.)

4 | Stacking adapter extension
89 mm
109679 (1 set / 4 pcs.)

5 | Stacking adapter extension
127 mm
109680 (1 set / 4 pcs.)



Bracket for stacking-
adapter extension
111578

Herrmann AG
Bahnhofstrasse 32
D-93483 Pöding

+49 (0)9461/91388 50
sales@herrmann-lifts.com
www.herrmann-lifts.com