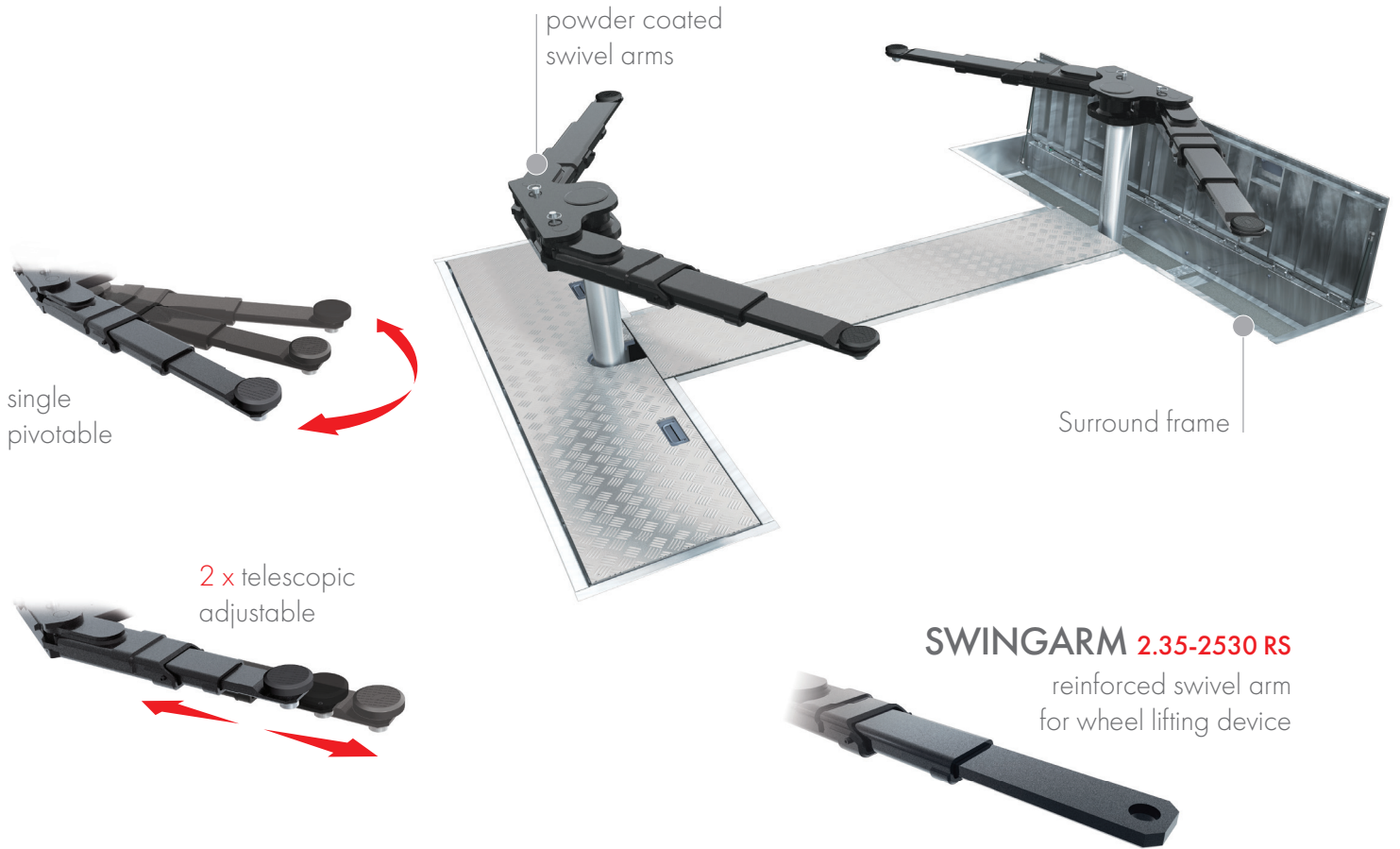
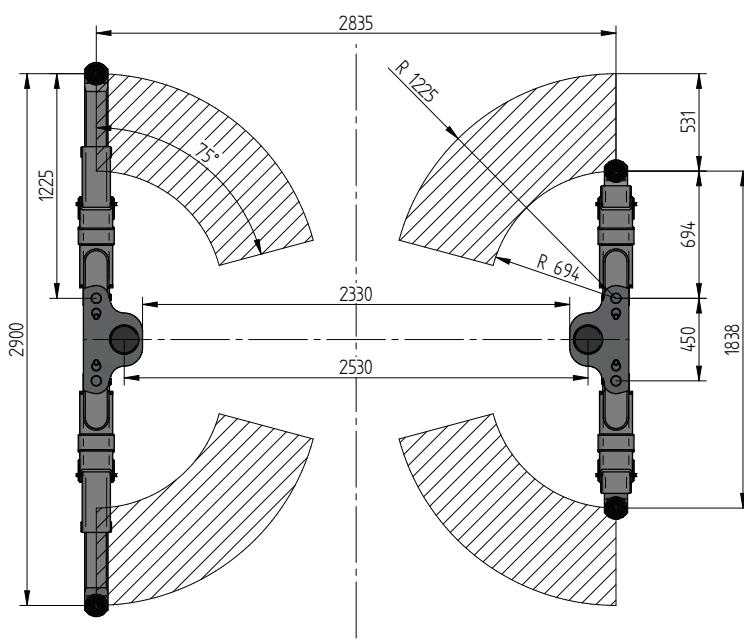


FLUSH MOUNTED



SWINGARM 2.35-2530 RS

reinforced swivel arm
for wheel lifting device



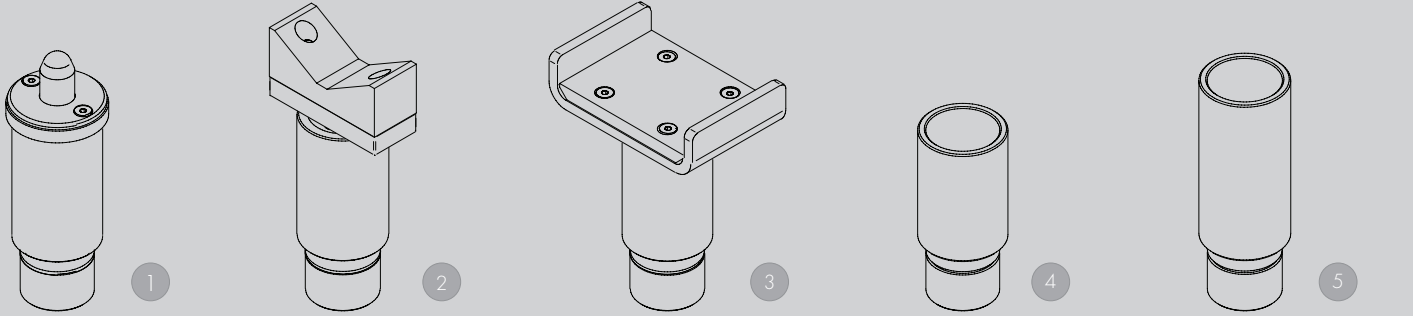
TECHNICAL DATA

Capacity	3500 kg
Move in height	90 mm
Piston diameter	123 mm
Piston distance	2530 mm
Motor output	3,0 kW
Power connector	400 V/16 A
Cable length to control	11 m
Lifting time	≈ 35 sec.
Lowering time	≈ 35 sec.

Support Swingarm 2.35	109229
Support Swingarm 2.35 reinforced	111590
Installation cassette STEEL 2530 mm	2020XX
Installation cassette STEEL 2530 mm galvanized	2021XX
Lifting unit oil 3,5 + 2530 mm - K pre-assembled in installation cassette	110114
Lifting unit oil 3,5 + 2530 mm - H packed in wooden box	110115
Surround frame Swingarm 2530	111549



ACCESSORIES



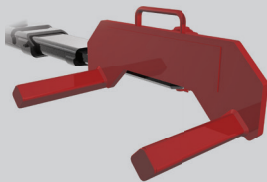
1 Stacking adapter NCV3
d 50 x d 70 / 115-215 mm
112100 (1 set / 2 pcs.)

3 Stacking adapter U-form
d 50
1103976 (1 set / 4 pcs.)

5 Stacking adapter extension
127 mm
109680 (1 set / 4 pcs.)

2 Stacking adapter V-prism
d 50 / 87-130 mm
109683 (1 set / 2 pcs.)

4 Stacking adapter extension
89 mm
109679 (1 set / 4 pcs.)



Wheel lifting device
(1 set / 4 pcs.)

GA490	GA550
ø wheel 590 - 690 mm	ø wheel 670 - 770 mm
112051	112052

Mounting adapter
Swingarm RS
(1 set / 4 pcs.)
112145

pushAdapter
(1 set / 4 pcs.)
1112530

Bracket for stacking-
adaptor extension
111578

Herrmann AG
Bahnhofstrasse 32
D-93483 Pöding

+49 (0)9461/91388 50
sales@herrmann-lifts.com
www.herrmann-lifts.com