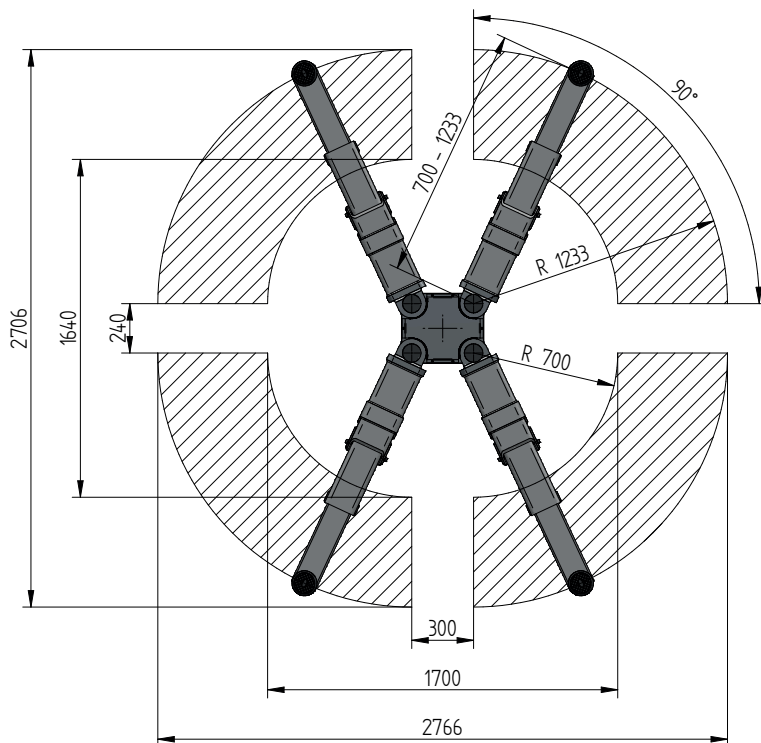
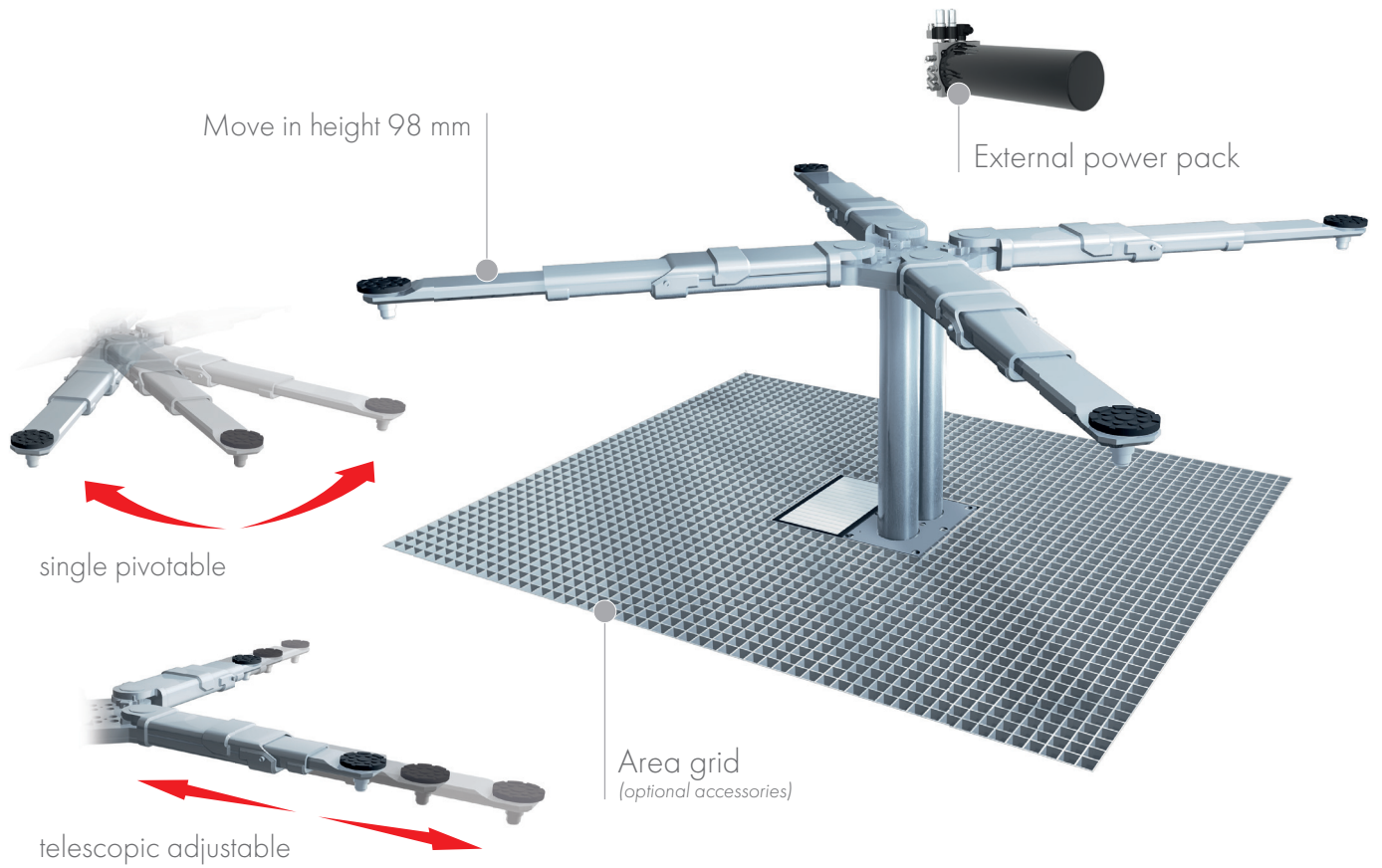


SURFACE MOUNTED



TECHNICAL DATA

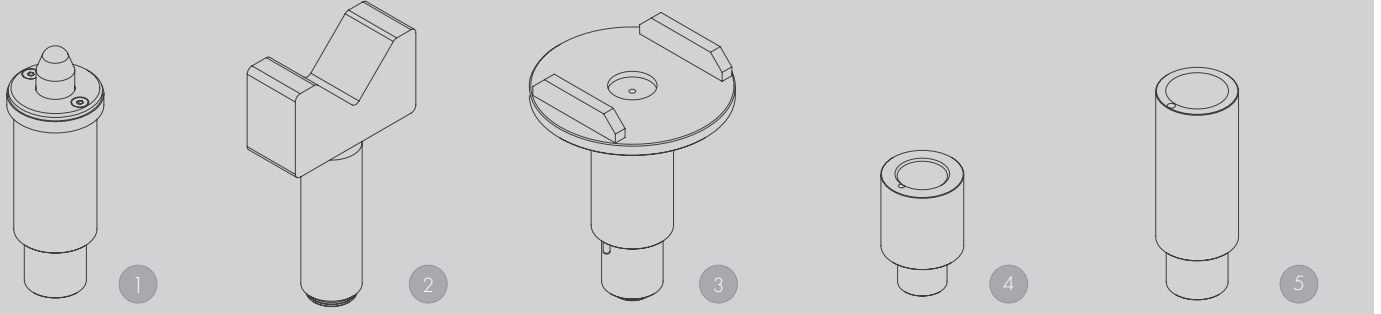
Capacity	3500 kg
Effective raise height	2067 mm
Move in height	98 mm
Piston diameter	123 mm
Installation depth	2408 mm
Motor output	3,0 kW
Power connector	400 V/16 A
Cable length to control	11 m
Lifting time	≈ 35 sec.
Lowering time	≈ 35 sec.

Support Swingarm 1.35 DZ X galvanized	111775
Installation cassette STEEL 1-piston DZ	2040XX
Installation cassette STEEL 1-piston DZ galvanized	2041XX
Lifting unit oil 3,5 t 1-piston DZ - K pre-assembled in installation cassette	110126
Lifting unit oil 3,5 t 1-piston DZ - H packed in wooden box	110127



SWINGARM 1.35 DZ X

ACCESSORIES



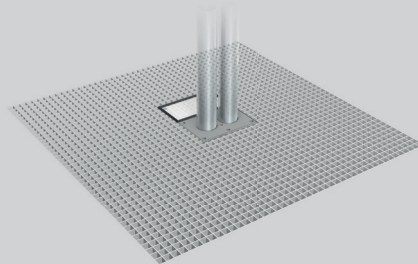
1 Stacking adapter NCV3
d 45 x d 70 / 125-250 mm
102290 (1 set / 2 pcs.)

3 Stacking adapter U-form
d 130 x d 45 / 193-295 mm
102288 (1 set / 4 pcs.)

5 Stacking adapter extension
130 mm
102287 (1 set / 4 pcs.)

2 Stacking adapter V-prism
d 45 / 182-312 mm
102289 (1 set / 2 pcs.)

4 Stacking adapter extension
80 mm
102284 (1 set / 4 pcs.)



Area grid
4000 x 2400 mm
110217



Cover for external
power pack and control
110190

Herrmann AG
Bahnhofstrasse 32
D-93483 Pöding

Phone: +49 (0)9461/91388 50
E-Mail: sales@herrmann-lifts.com

www.herrmann-lifts.com

Amendments and mistakes reserved. All illustrations are not binding.

we lift cars