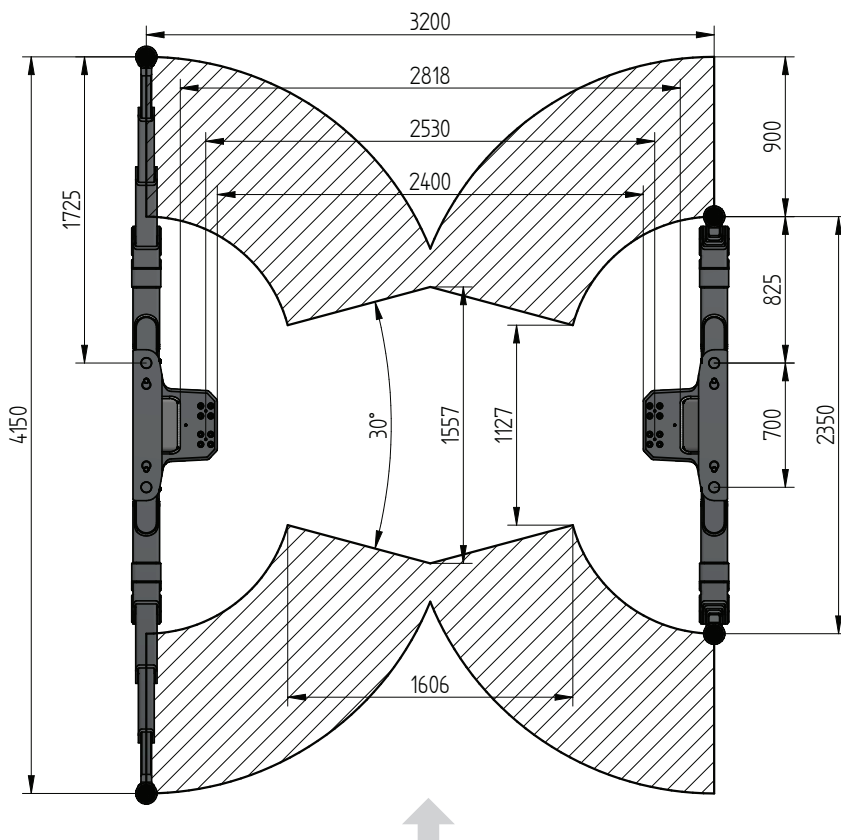
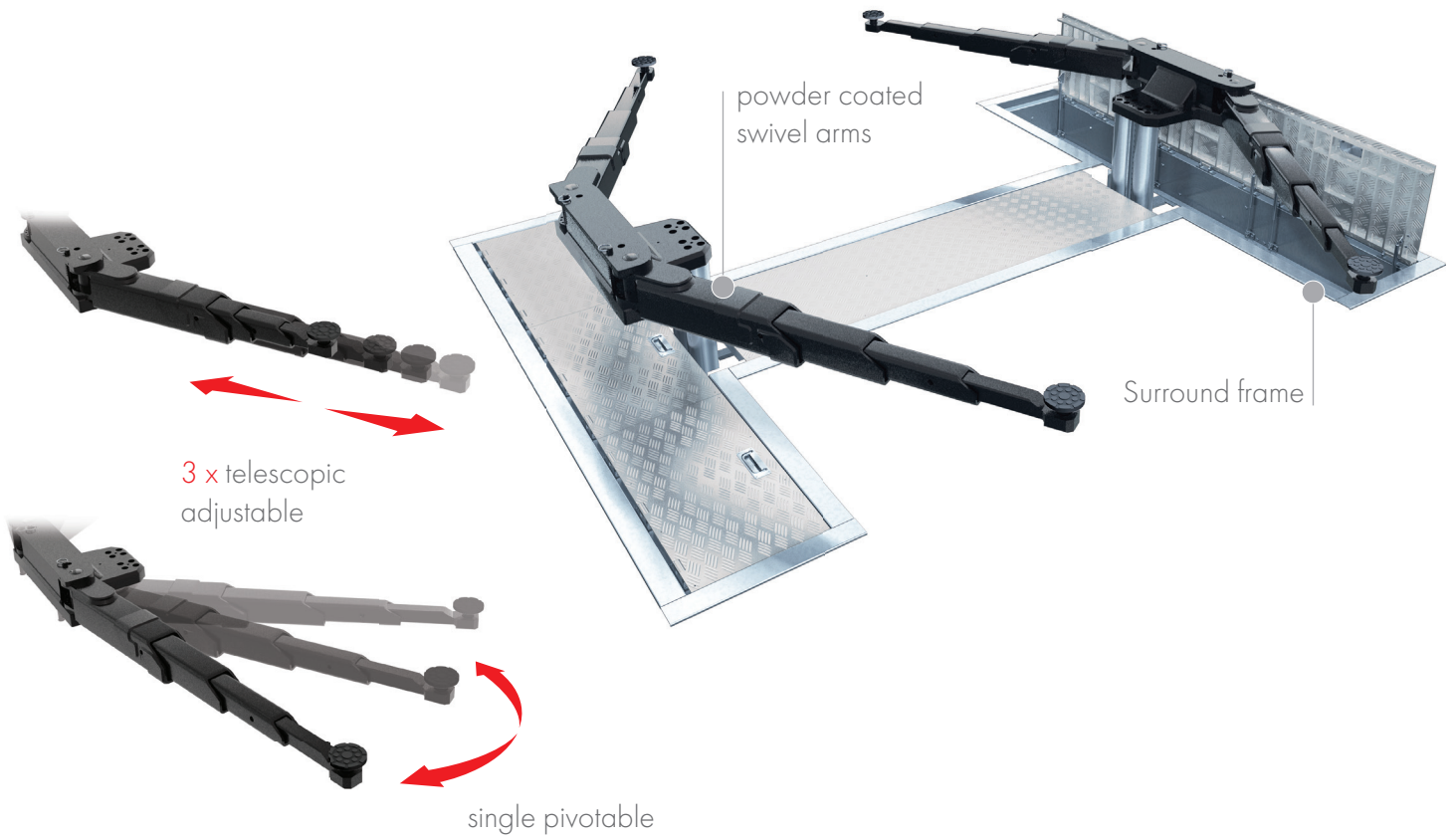


## FLUSH MOUNTED

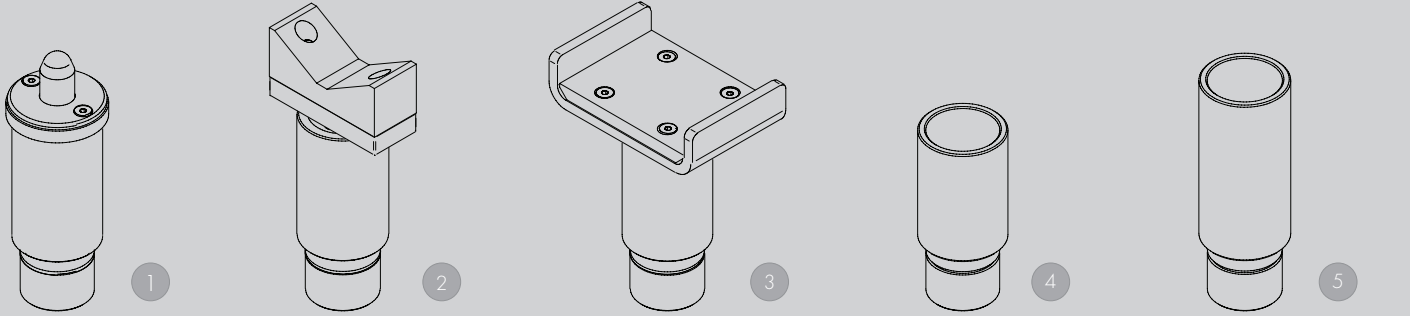


## TECHNICAL DATA

Capacity	5500 kg
Move in height	120 mm
Piston diameter	123 mm
Piston distance	2530 mm
Motor output	3,0 kW
Power connector	400 V/16 A
Cable length to control	11 m
Lifting time	≈ 45 sec.
Lowering time	≈ 45 sec.

Support Duplex 4.55	112121
Installation cassette STEEL 2530 mm	2330XX
Installation cassette STEEL 2530 mm galvanized	2331XX
Lifting unit oil 5,5 t Duplex 2530 mm - K pre-assembled in installation cassette	111350
Lifting unit oil 5,5 t Duplex 2530 mm - H packed in wooden box	111351
Surround frame Duplex 2530	111585

## ACCESSORIES



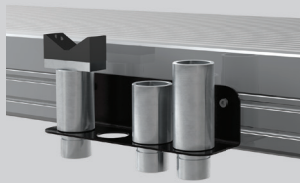
1 | Stacking adapter NCV3  
d 50 x d 70 / 115-215 mm  
112100 (1 set / 2 pcs.)

2 | Stacking adapter V-prism  
d 50 / 87-130 mm  
109683 (1 set / 2 pcs.)

3 | Stacking adapter U-form  
d 50  
1103976 (1 set / 4 pcs.)

4 | Stacking adapter extension  
89 mm  
109679 (1 set / 4 pcs.)

5 | Stacking adapter extension  
127 mm  
109680 (1 set / 4 pcs.)



Bracket for stacking-  
adapter extension  
111578

**Herrmann AG**  
Bahnhofstrasse 32  
D-93483 Pöding

+49 (0)9461/91388 50  
sales@herrmann-lifts.com  
www.herrmann-lifts.com