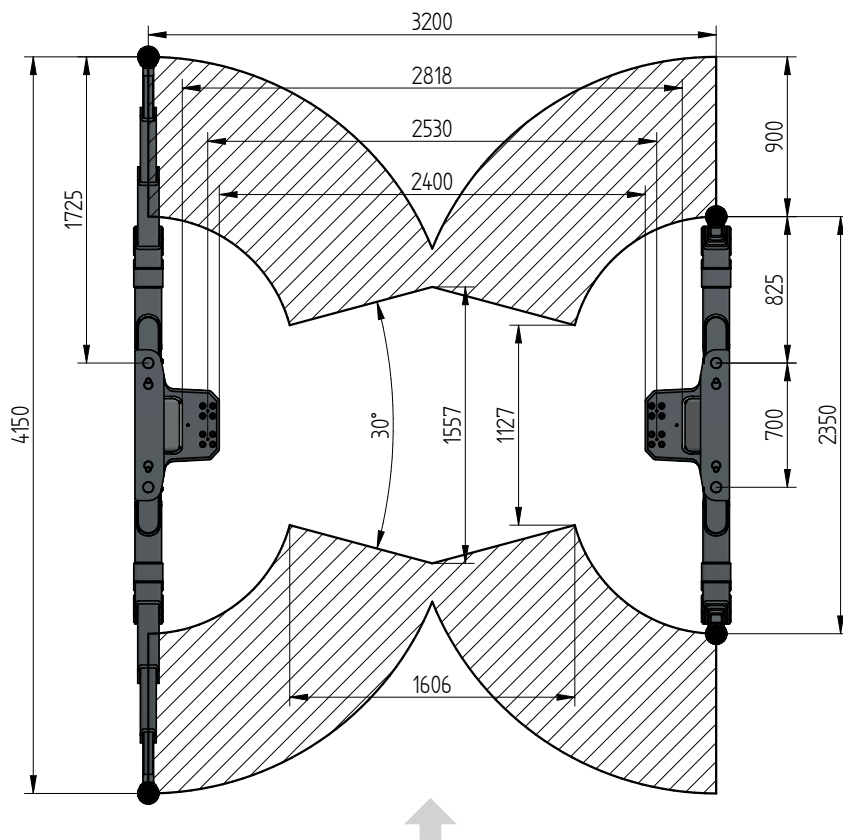
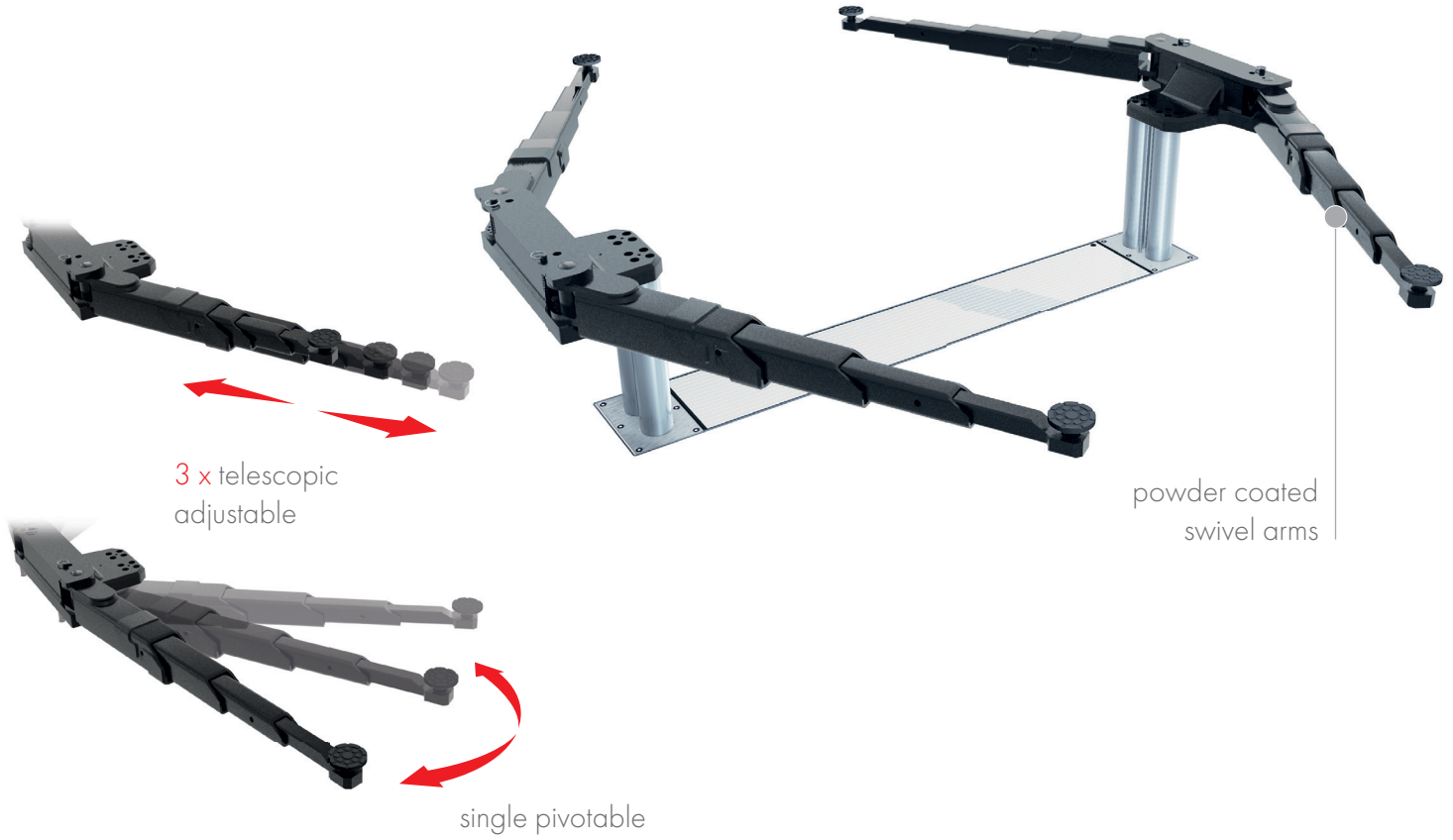


SURFACE MOUNTED

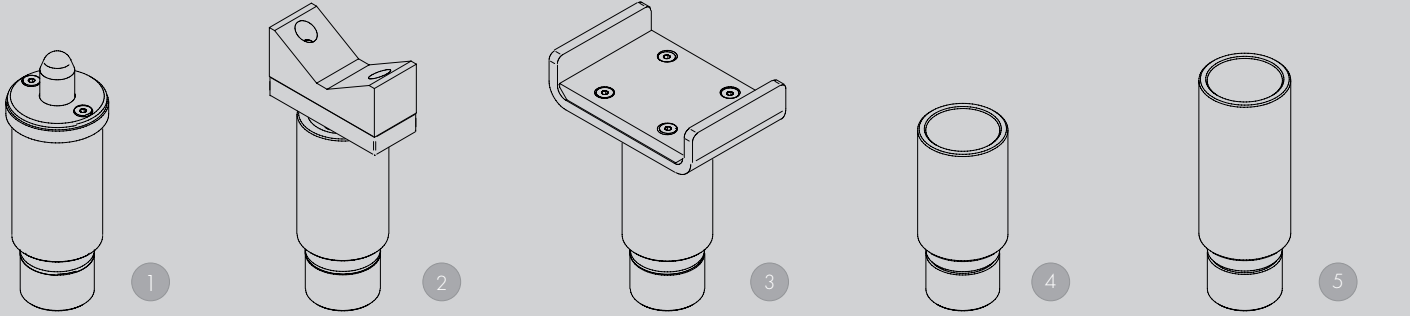


TECHNICAL DATA

Capacity	5500 kg
Effective raise height	2074 mm
Move in height	120 mm
Piston diameter	123 mm
Piston distance	2530 mm
Installation depth	2408 mm
Motor output	3,0 kW
Power connector	400 V/16 A
Cable length to control	11 m
Lifting time	≈ 45 sec.
Lowering time	≈ 45 sec.

Support Duplex 4.55	112121
Installation cassette STEEL 2530 mm	2330XX
Installation cassette STEEL 2530 mm galvanized	2331XX
Lifting unit oil 5,5 l Duplex 2530 mm - K pre-assembled in installation cassette	111350
Lifting unit oil 5,5 l Duplex 2530 mm - H packed in wooden box	111351

ACCESSORIES



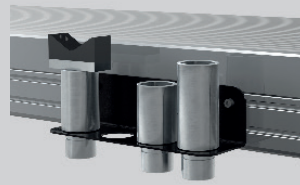
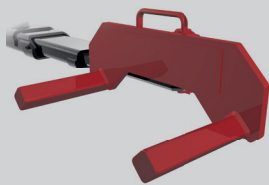
1 Stacking adapter NCV3
d 50 x d 70 / 115-215 mm
112100 (1 set / 2 pcs.)

3 Stacking adapter U-form
d 50
1103976 (1 set / 4 pcs.)

5 Stacking adapter extension
127 mm
109680 (1 set / 4 pcs.)

2 Stacking adapter V-prism
d 50 / 87-130 mm
109683 (1 set / 2 pcs.)

4 Stacking adapter extension
89 mm
109679 (1 set / 4 pcs.)



Wheel lifting device
(1 set / 4 pcs.)

GA490	GA550
ø wheel 590 - 690 mm	ø wheel 670 - 770 mm
112051	112052

Mounting adapter
Swingarm/Duplex
(1 set / 4 pcs.)
112146

Bracket for stacking-
adapter extension
111578

Herrmann AG
Bahnhofstrasse 32
D-93483 Pöding

+49 (0)9461/91388 50
sales@herrmann-lifts.com
www.herrmann-lifts.com