

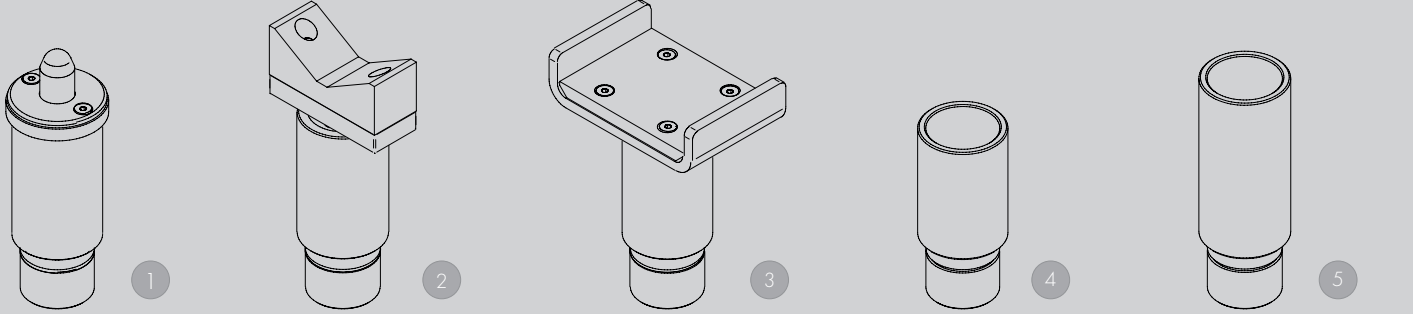
TECHNICAL DATA

Capacity	3500 kg
Effective raise height	2048 mm
Move in height	95 mm
Piston diameter	123 mm
Piston distance	2530 mm
Installation depth	2305 mm
Motor output	3,0 kW
Power connector	400 V/16 A
Cable length to control	11 m
Lifting time	≈ 35 sec.
Lowering time	≈ 35 sec.

Support Swingarm 2.35-2530 Hybrid	112629
Tube cassette STEEL 2530 mm galvanized	273110
PVC pipes for tube cassette length: 1970 mm, ø 315mm, 1 set = 2 pieces	112754
Lifting unit oil 3,5 t 2530 mm Hybrid - H packed in wooden box for subs. installation into H cassette	112631



ACCESSORIES



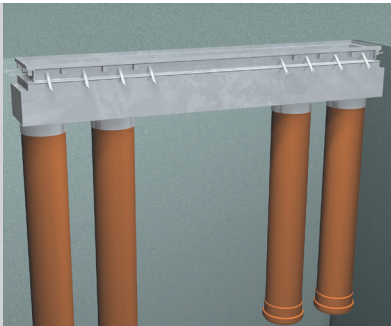
1 Stacking adapter NCV3
d 50 x d 70 / 115-215 mm
112100 (1 set / 2 pcs.)

3 Stacking adapter U-form
d 50
1103976 (1 set / 4 pcs.)

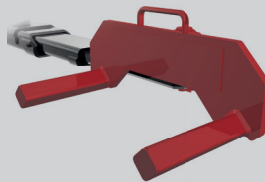
5 Stacking adapter extension
127 mm
109680 (1 set / 4 pcs.)

2 Stacking adapter V-prism
d 50 / 87-130 mm
109683 (1 set / 2 pcs.)

4 Stacking adapter extension
89 mm
109679 (1 set / 4 pcs.)



Tube cassette Future Proof
Steel galvanized 1500/2530 mm
275110



Wheel lifting device
(1 set / 4 pcs.)
GA490 GA550
ø wheel 590 - 690 mm ø wheel 670 - 770 mm
112051 112052



pushAdapter
(1 set / 4 pcs.)
1112530



Bracket for stacking-
adapter extension
111578

Mounting adapter
Swingarm RS
(1 set / 4 pcs.)
112145

Herrmann AG
Bahnhofstrasse 32
D-93483 Pöding

Phone: +49 (0)9461/91388 50
E-Mail: sales@herrmann-lifts.com

www.herrmann-lifts.com