

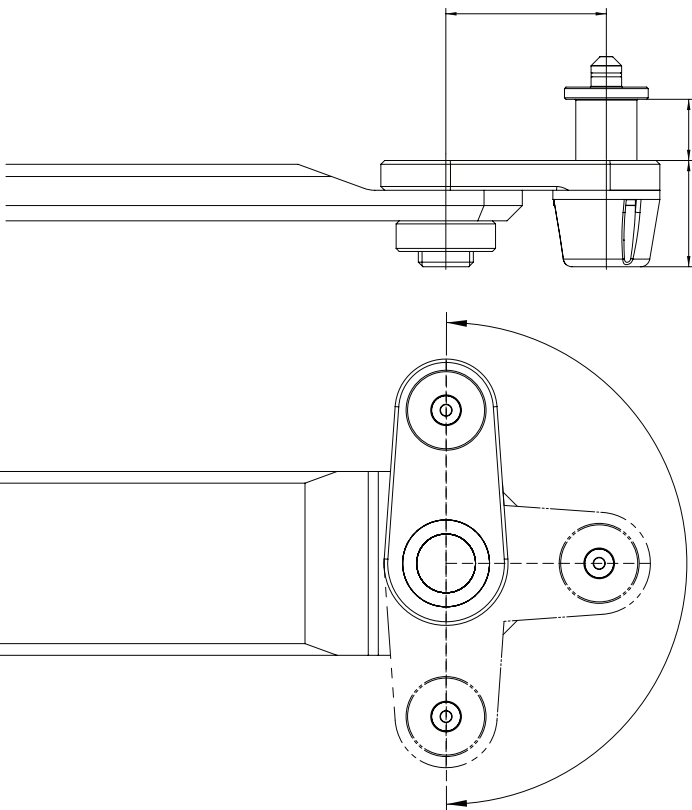
SWINGARM 2.35 / SWINGARM 2.35 RS

push Adapter SWING

-  2 times faster
-  safer form fitted
-  ø 70 mm slim design



-  40 mm spring range
-  interchangeable top connectors
-  180° swivel range



TECHNICAL DATA

Capacity per adapter	900 kg
Swivel range	180 °
Move in height depending on connector	120-150 mm
Spring range	40 mm
Connector diameter	ø 70 mm
Bore hole supporting arm	ø 50 mm

pushAdapter

112530

SWINGARM 2.35 / SWINGARM 2.35 RS



1 | Top connector
VW ID.3, VW ID.4, VW ID.5, VW ID.Buzz,
Cupra Born, Audi Q4 e-tron, Polestar 2,
Hyundai Kona Elektro
112533

2 | Top connector
Tesla Model S, Tesla Model 3, Tesla
Model X, Tesla Model Y
112534

4 | Top connector
BMW i3, Mercedes EQS
112535



4 | Top connector
Audi e-tron GT, Porsche taycan
112536

5 | Top connector
Audi Q8 e-tron, Audi e-tron GE
112539

6 | Top connector
Porsche GT models
112743

Herrmann AG
Bahnhofstraße 32
D-93483 Pöding

Phone: +49 (0)9461/91388 50
E-Mail: sales@herrmann-lifts.com

www.herrmann-lifts.com